

CARLISLE WALL HUNG BASIN

Cat. No
4-9010



Faucet Not Included



Mounting hardware

W: 20-3/8"
D: 14-1/2"
H: 5-1/2"

Interior Dimensions:

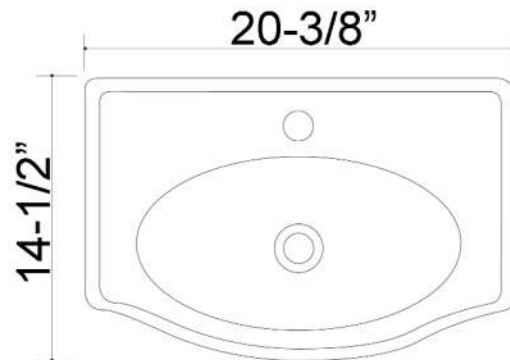
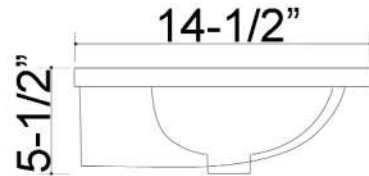
Basin Interior: 8-5/8" x 14-5/8"
Basin Depth: 4-3/4"
Back of basin to center of faucet: 2-3/8"
Back of basin to center of drain: 6-5/8"
Mount holes cc: 7-1/4"
Faucet hole diameter: 1-3/8"

Features:

- ▶ Wall hung basin
- ▶ Made of Vitreous China
- ▶ Pre-drilled with 1-3/8" single faucet hole
- ▶ No overflow
- ▶ Mounting hardware included
- ▶ Drain not provided

Colors WH White

Meets or exceeds the following specifications: ASME A112.19.2 2013 and CSA B45.1-13 for ceramic plumbing fixtures.



Dimensions of fixture are nominal and may vary within the range of tolerances established by ASME Standard A112.19.2.2013 Dimensions and specifications subject to change without notice.